

Refer to pg. 5-6 & 10-11 of the Gibraltar
Fabrication Manual for complete seam

Copyright © 2003, All Rights Reserved



Wilsonart® Solid Surface

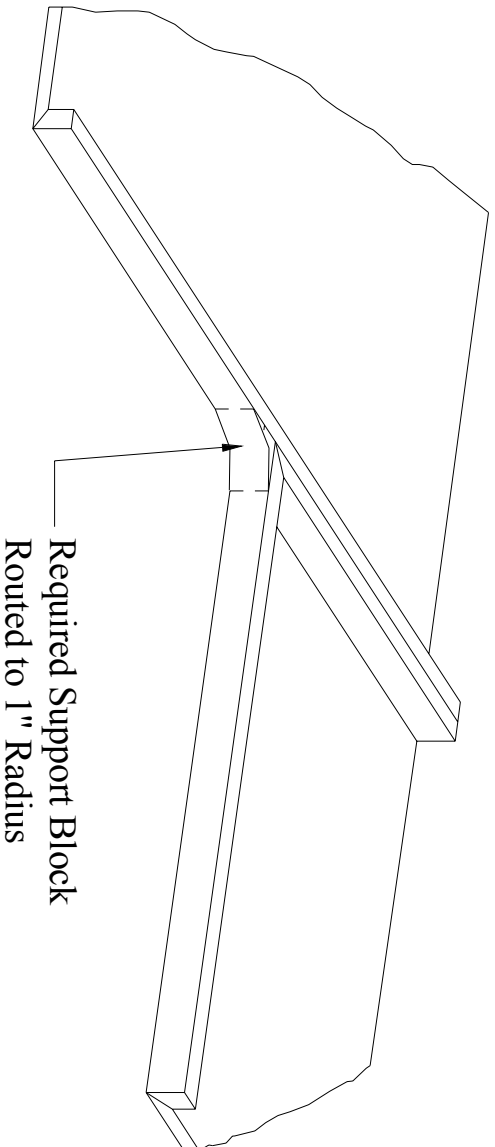
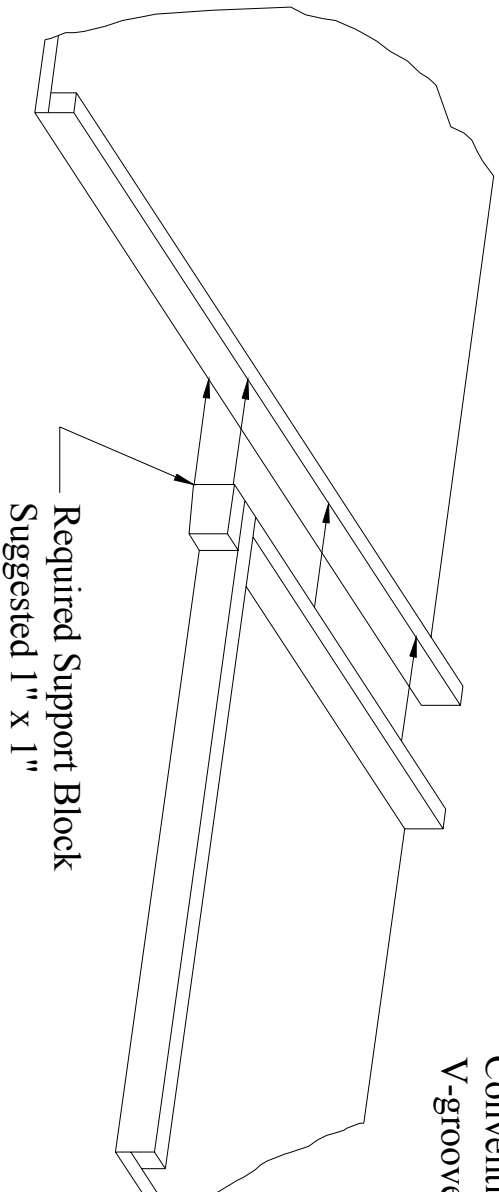
Wilsonart International Inc.
2400 Wilson Place
P. O. Box 8110
Temple, TX 76503-6110

A&D FILE:	Layouts.dwg
DEPT:	SOLID SURFACE
DR:	RWM
CKD:	
APPR:	

SHEET TITLE:	COUNTERTOP LAYOUT
	PT SEAMS

SCALE:	NTS
DATE:	06/01/03
DRAWING NO:	CTSO-001

Conventional Edge & V-grooved Edge Fabrication



Refer to the 2002 Gibraltar Fabrication Manual for complete fabrication guidelines: Drop Edges on Pg. 12-15 Deck Seams on Pg. 9-11

Copyright © 2003, All Rights Reserved



Wilsonart® Solid Surface

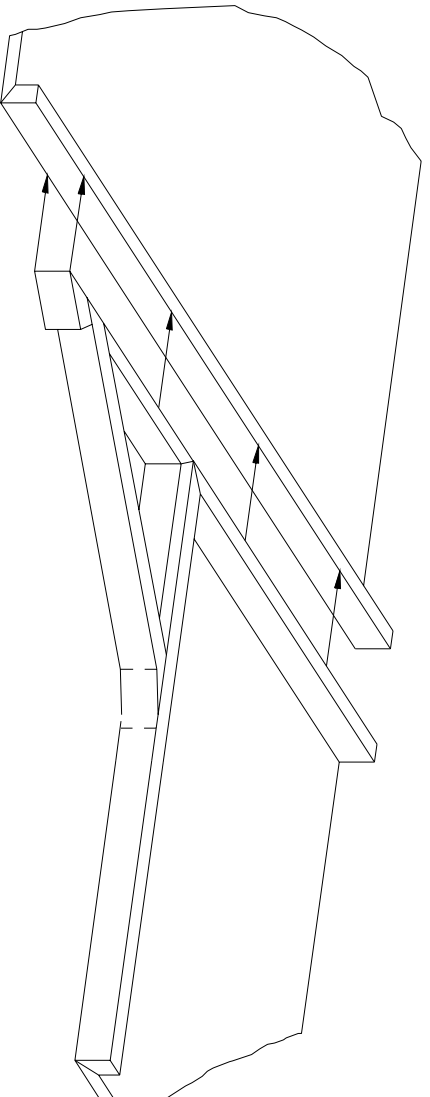
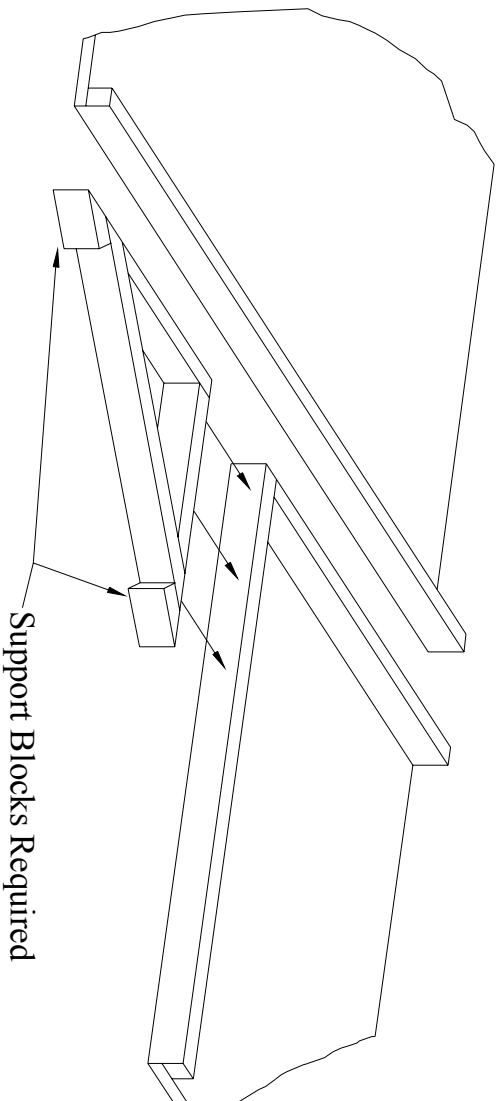
Wilsonart International Inc.
2400 Wilson Place
P. O. Box 6110
Temple, TX 76503-6110

ACAD FILE: Layout.dwg
DEPT: SOLID SURFACE
DR: RWM
CKD:
APPR:

SHEET TITLE:
L-SHAPE PT SEAM

SCALE: NTS
DATE: 06/01/03
DRAWING NO.: CTSO-002

Conventional Edge & V-grooved Edge Fabrication



Refer to the 2002 Gibraltar Fabrication Manual for complete fabrication guidelines: Drop Edges on Pg. 12-15 Deck Seams on Pg. 9-11

Copyright © 2003, All Rights Reserved



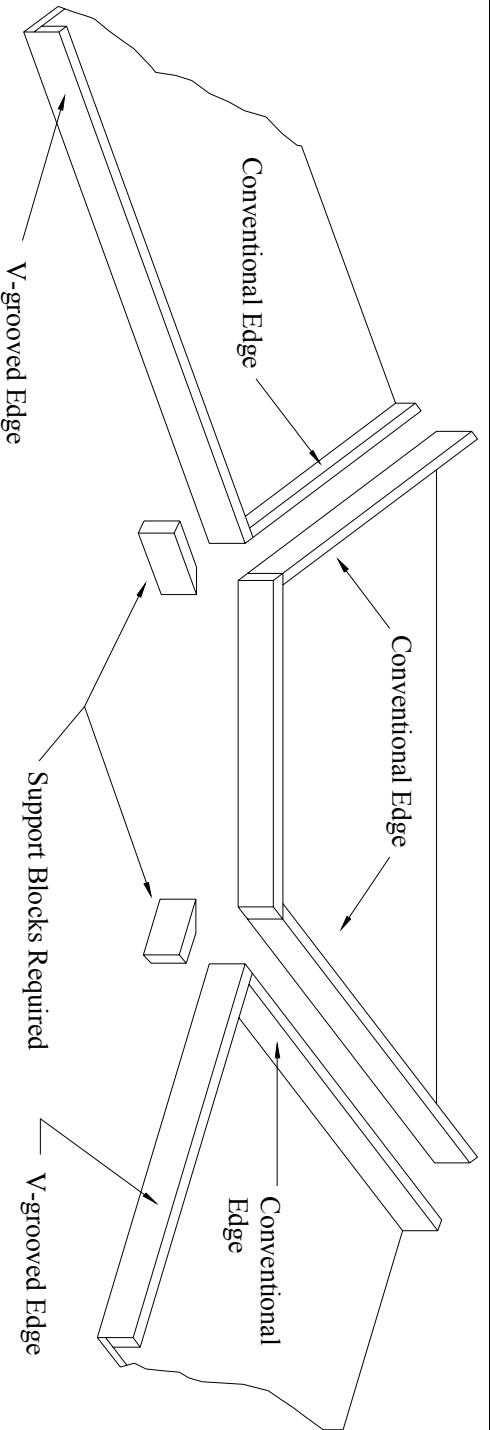
Wilsonart® Solid Surface

Wilsonart International Inc.
2400 Wilson Place
P. O. Box 6110
Temple, TX 76503-6110

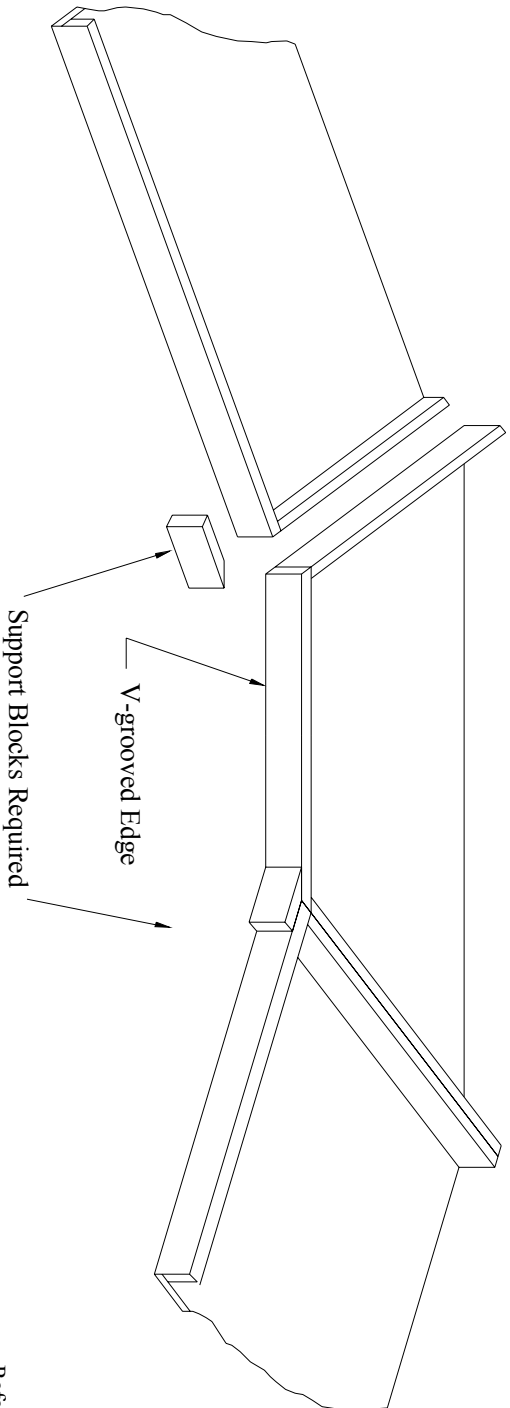
ADD FILE: Layout.dwg
DEPT: SOLID SURFACE
DR: RWM
CKD:
APPR:

SHEET TITLE:
SPLADE TOP PT SEAM

SCALE: NTS
DATE: 06/01/03
DRAWING NO: CTSO-003



Conventional Edge & V-grooved Edge Fabrication



Refer to the 2002 Gibraltar Fabrication Manual for complete fabrication guidelines: Drop Edges on Pg. 12-15 Deck Seams on Pg. 9-11

Copyright © 2003, All Rights Reserved



Wilsonart® Solid Surface

Wilsonart International Inc.
2400 Wilson Place
P. O. Box 6110
Temple, TX 76503-6110

ADD FILE: Layout.dwg
DEPT: SOLID SURFACE
DR: RWM
CKD:
APPR:

SHEET TITLE:	22 DEGREE TOP PT SEAM
--------------	-----------------------

SCALE:	NTS
DATE:	06/01/03
DRAWING NO:	CTSO-004