

Copyright © 2003, All Rights Reserved

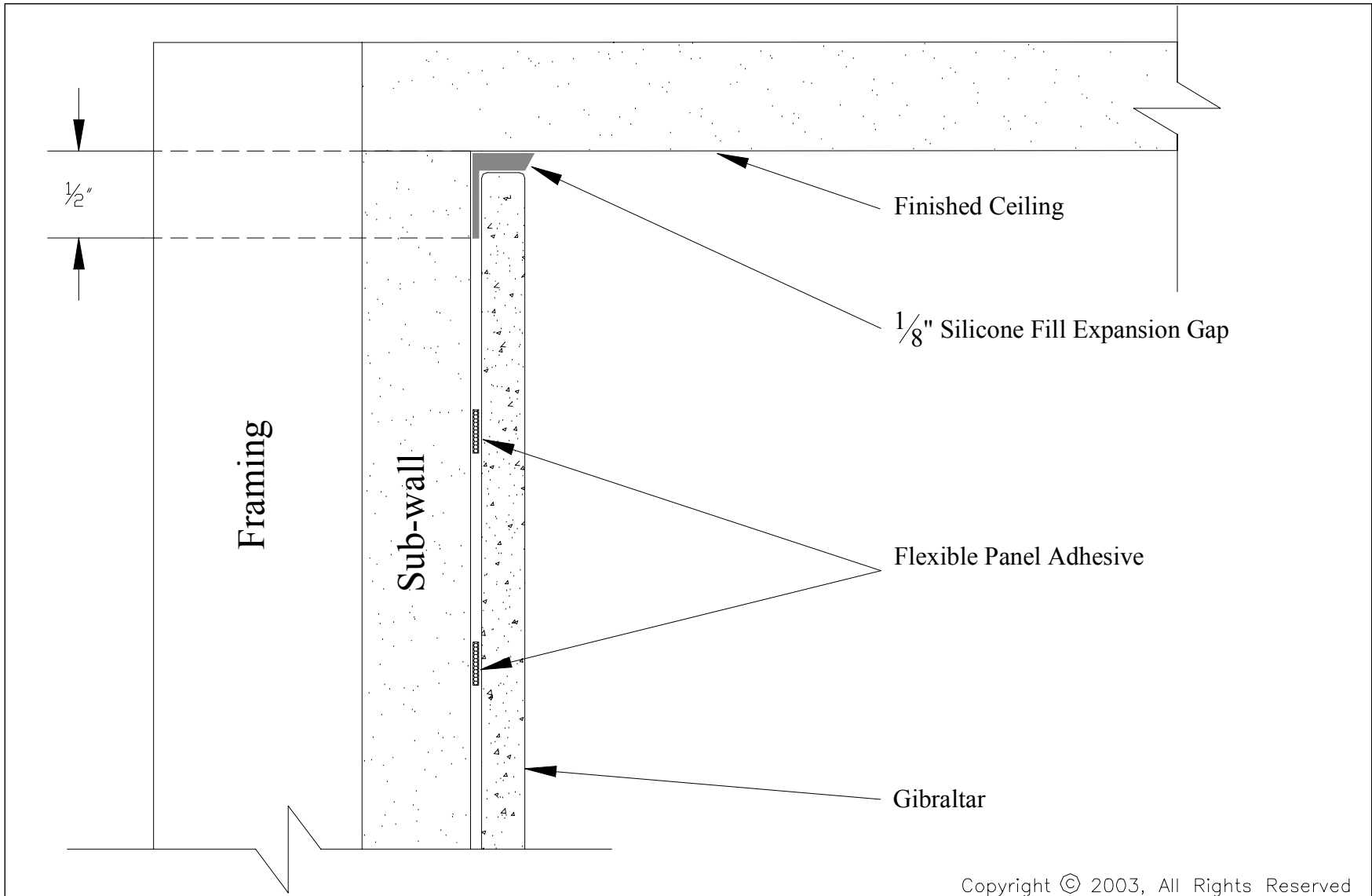
Wilsonart® Solid Surface

Wilsonart International Inc.
 2400 Wilson Place
 P. O. Box 6110
 Temple, TX 76503-6110

ACAD FILE: Wet Wall Application.dwg
DEPT: SOLID SURFACE
DR: RWM
CKD:
APPR:

SHEET TITLE:
WET WALL
CORNER GAP REQUIREMENTS

SCALE: NTS
DATE: 06/01/03
DRAWING NO: WW-001



Copyright © 2003, All Rights Reserved

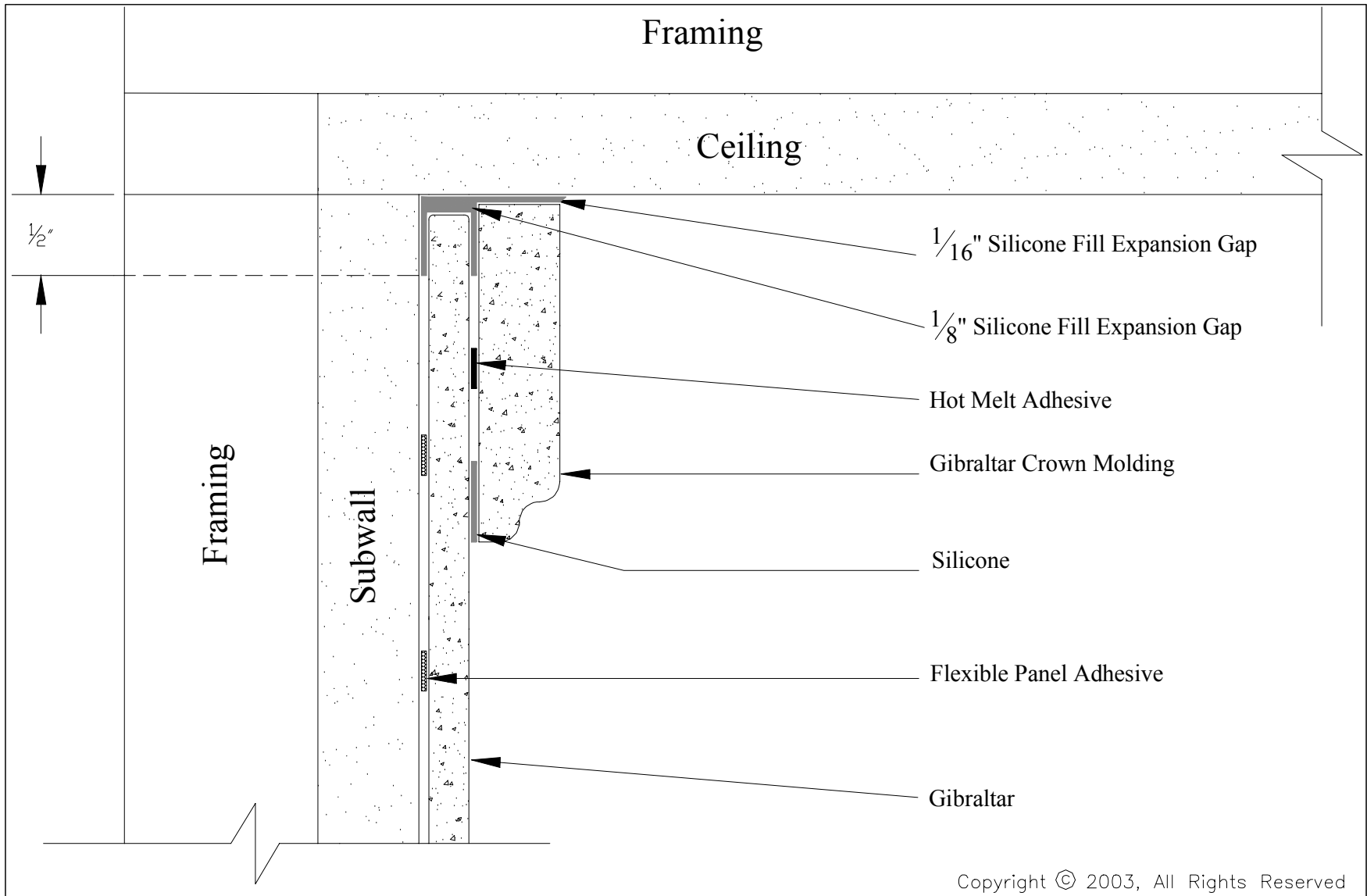
 **Wilsonart® Solid Surface**

Wilsonart International Inc.
 2400 Wilson Place
 P. O. Box 6110
 Temple, TX 76503-6110

ACAD FILE: Wet Wall Application.dwg
DEPT: SOLID SURFACE
DR: RWM
CKD:
APPR:

SHEET TITLE:
 WET WALL PANEL
 CEILING GAP REQUIREMENT

SCALE: NTS
DATE: 06/01/03
DRAWING NO: WW-002



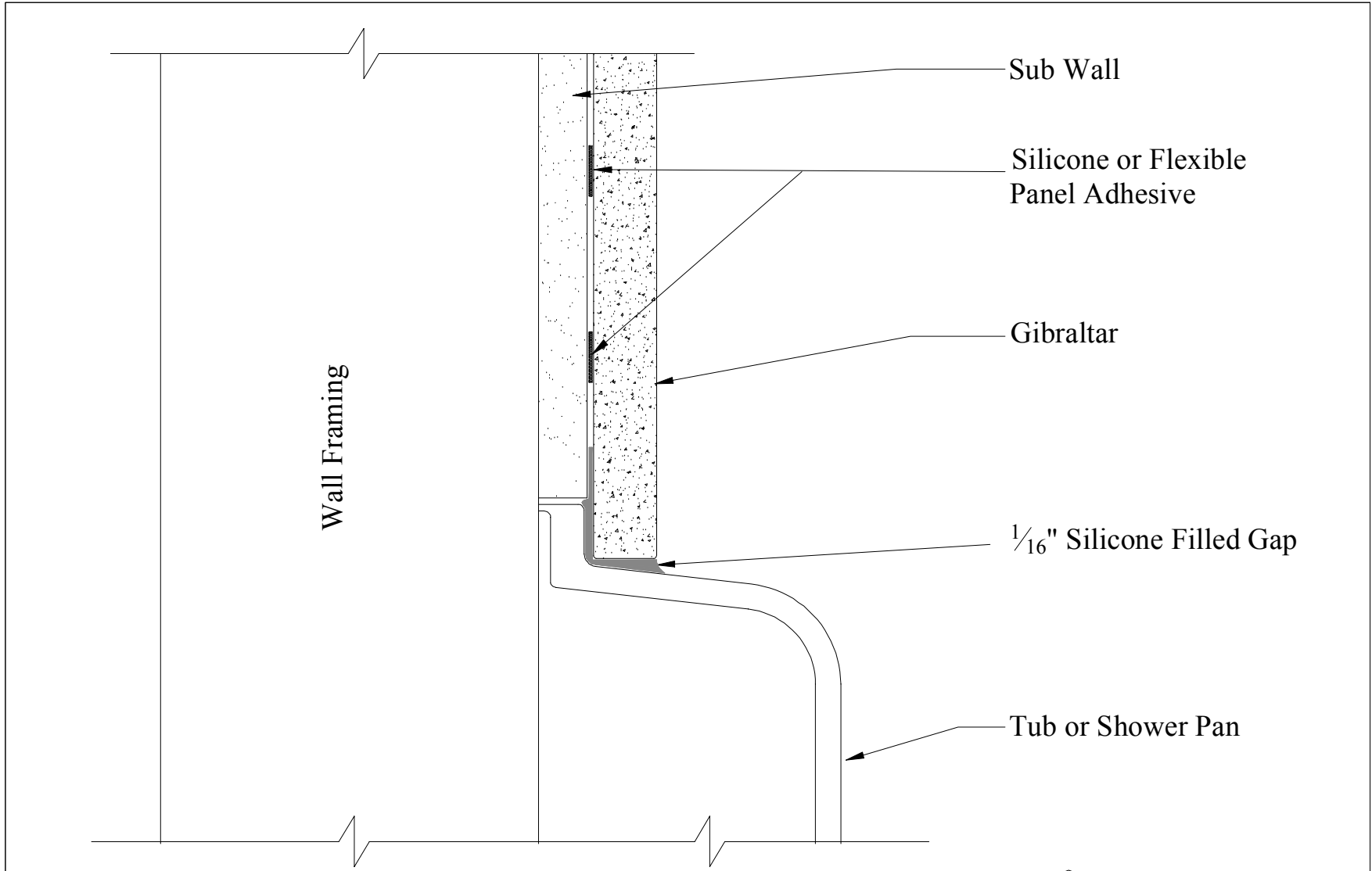
Copyright © 2003, All Rights Reserved



Wilsonart® Solid Surface

Wilsonart International Inc.
 2400 Wilson Place
 P. O. Box 6110
 Temple, TX 76503-6110

ACAD FILE: Wet Wall Application.dwg	SHEET TITLE:	SCALE:
DEPT: SOLID SURFACE	WET WALL PANEL & MOLDING	NTS
DR: RWM	CEILING GAP REQUIREMENT	DATE:
CKD:		06/01/03
APPR:		DRAWING NO:
		WW-003



Copyright © 2003, All Rights Reserved

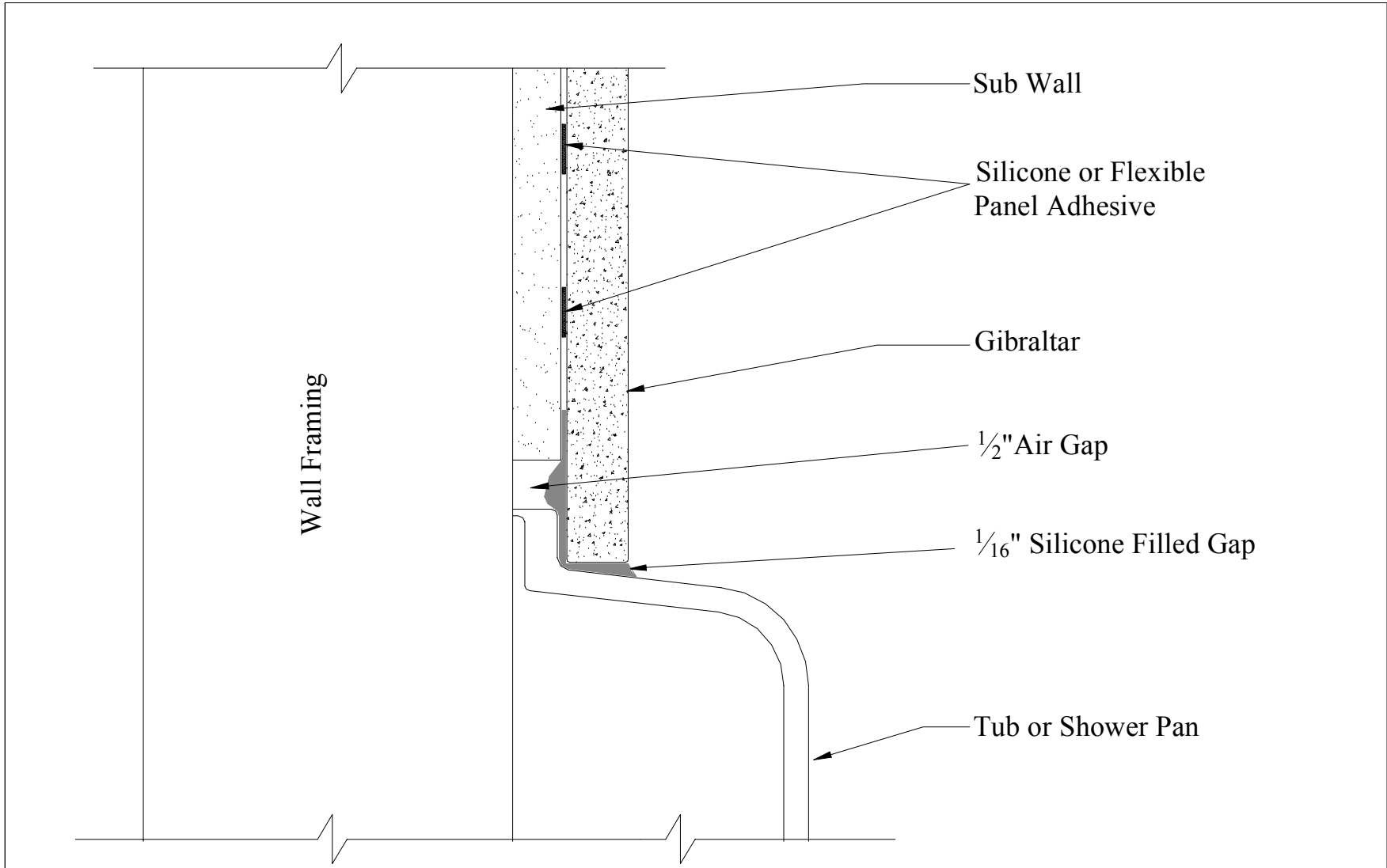
 **Wilsonart® Solid Surface**

Wilsonart International Inc.
 2400 Wilson Place
 P. O. Box 6110
 Temple, TX 76503-6110

ACAD FILE: Wet Wall Application.dwg
DEPT: SOLID SURFACE
DR: RWM
CKD:
APPR:

SHEET TITLE:
TUB & SHOWER PAN
GAP REQUIREMENT

SCALE:
NTS
DATE:
06/01/03
DRAWING NO:
WW-004



Copyright © 2003, All Rights Reserved



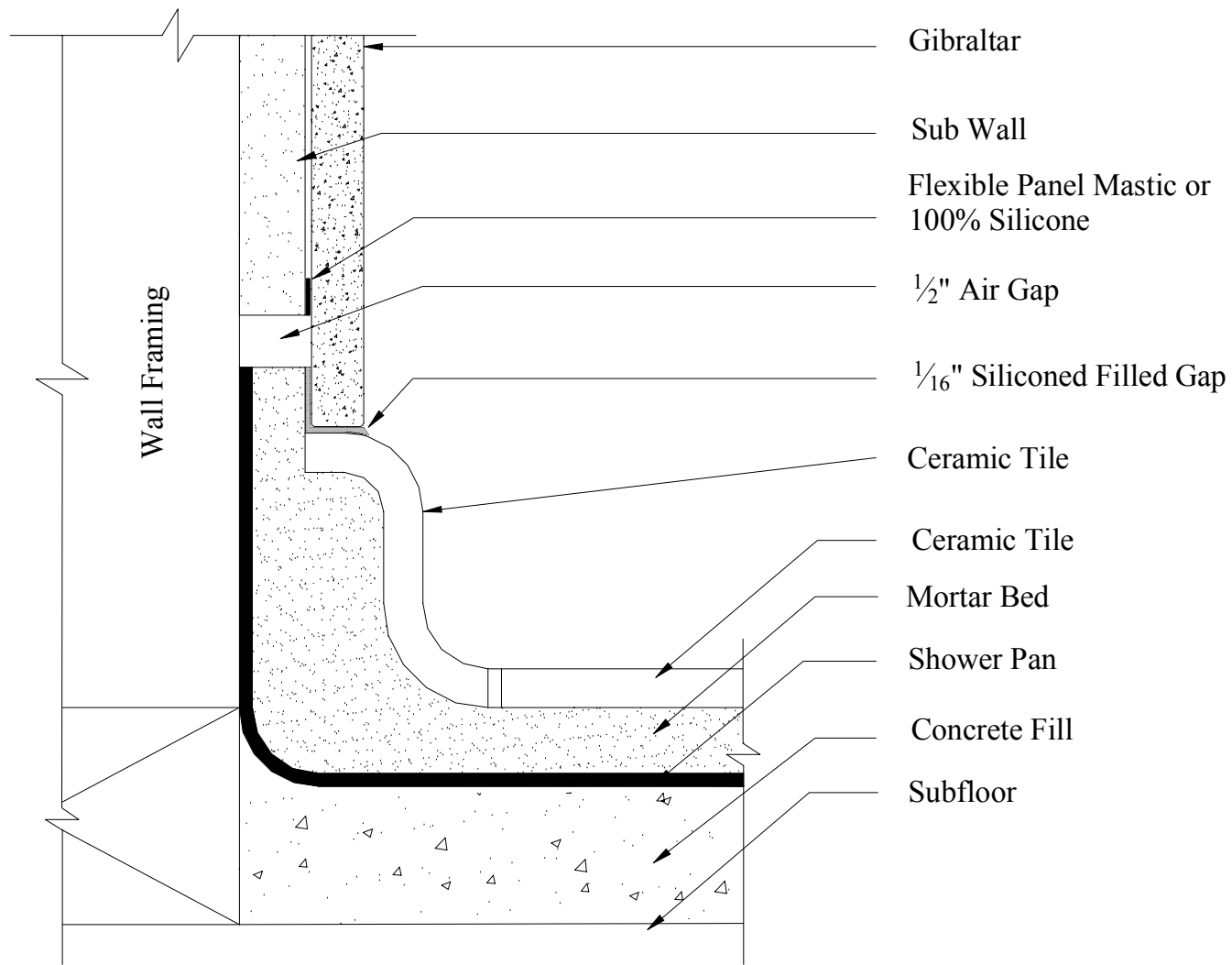
Wilsonart® Solid Surface

Wilsonart International Inc.
 2400 Wilson Place
 P. O. Box 6110
 Temple, TX 76503-6110

ACAD FILE: Wet Wall Application.dwg
DEPT: SOLID SURFACE
DR: RWM
CKD:
APPR:

SHEET TITLE:
TUB & SHOWER PAN
AIR GAP OPTION

SCALE:
NTS
DATE:
06/01/03
DRAWING NO:
WW-005



Copyright © 2003, All Rights Reserved

 **Wilsonart® Solid Surface**

Wilsonart International Inc.
2400 Wilson Place
P. O. Box 6110
Temple, TX 76503-6110

ACAD FILE: Wet Wall Application.dwg

DEPT: SOLID SURFACE

DR: RWM

CKD:

APPR:

SHEET TITLE:

TILE SHOWER SURROUND

GAP REQUIREMENTS

SCALE:

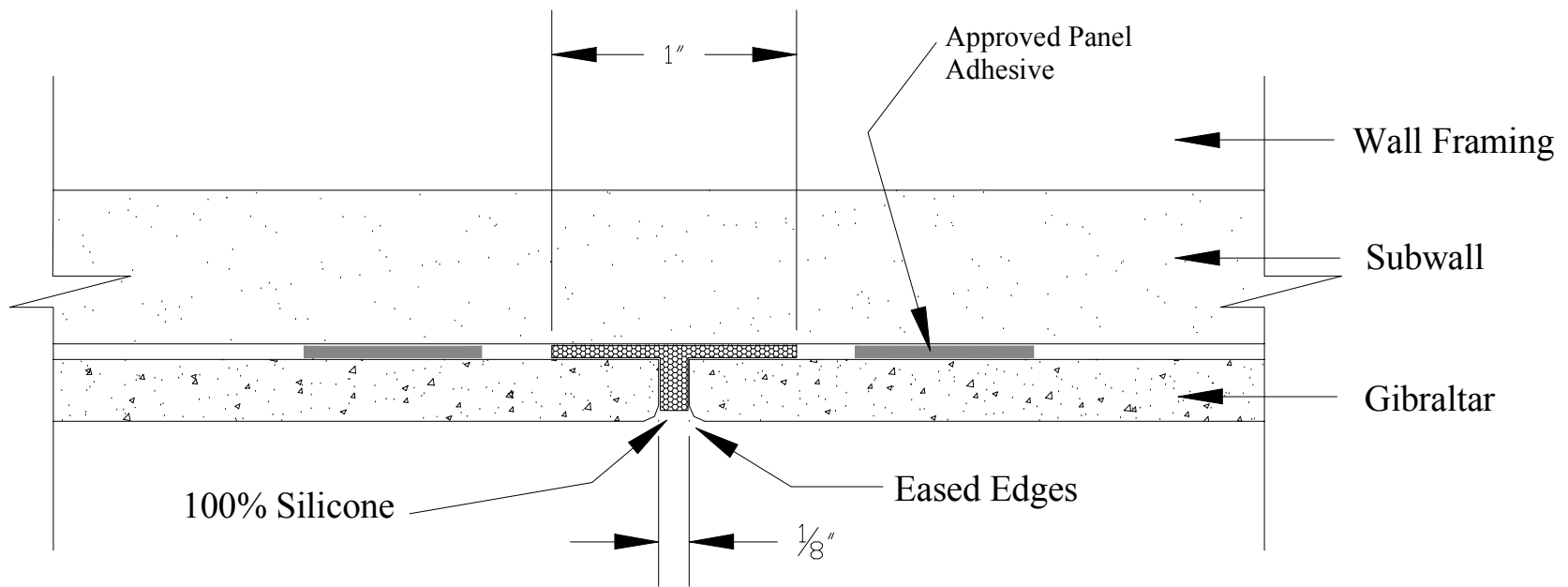
NTS

DATE:

06/01/03

DRAWING NO.:

WW-006



Copyright © 2003, All Rights Reserved

 **Wilsonart® Solid Surface**

Wilsonart International Inc.
2400 Wilson Place
P. O. Box 6110
Temple, TX 76503-6110

ACAD FILE: Wet Wall Application.dwg

DEPT: SOLID SURFACE

DR: RWM

CKD:

APPR:

SHEET TITLE:

WET WALL SEAM OPTION

SILICONE BUTT JOINT

SECTION VIEW

SCALE:

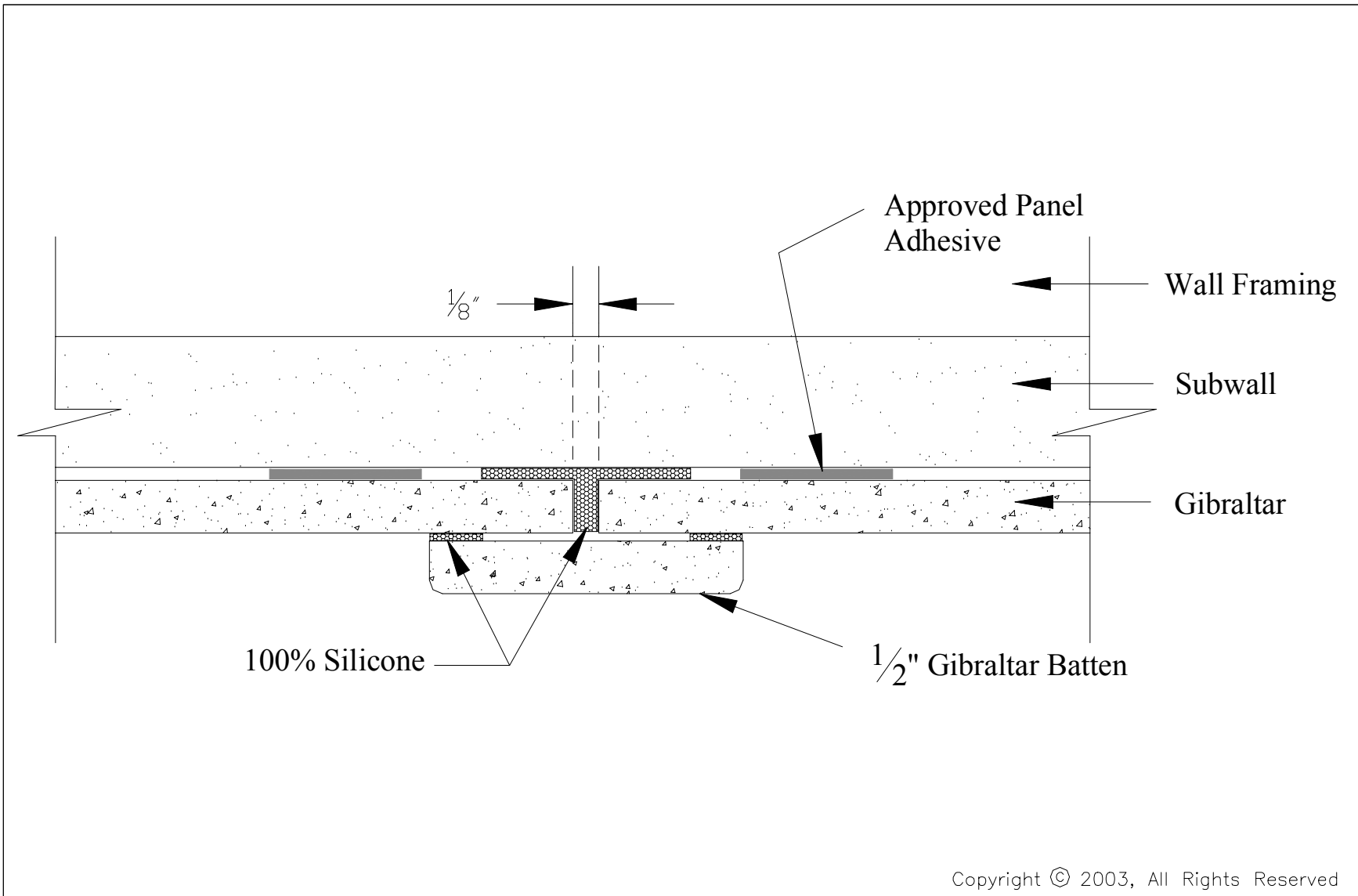
NTS

DATE:

06/01/03

DRAWING NO:

WW-007



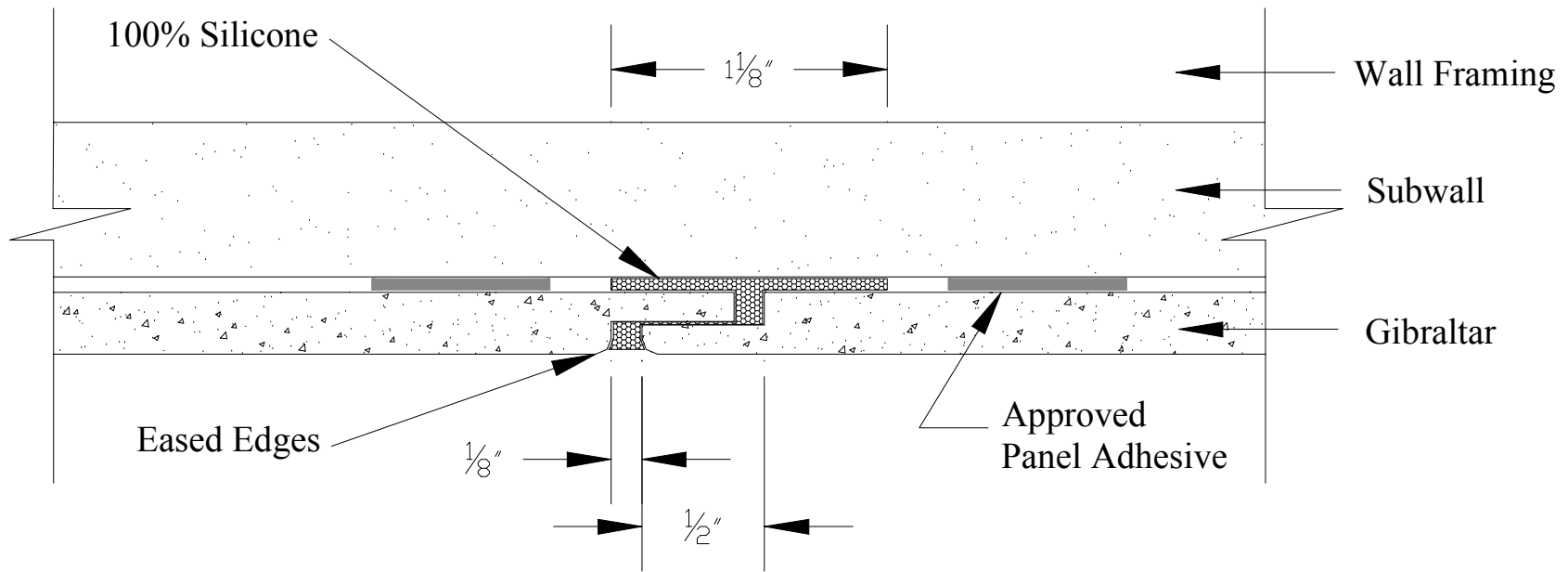
 **Wilsonart® Solid Surface**

Wilsonart International Inc.
 2400 Wilson Place
 P. O. Box 6110
 Temple, TX 76503-6110

ACAD FILE: Wet Wall Application.dwg
DEPT: SOLID SURFACE
DR: RWM
CKD:
APPR:

SHEET TITLE:
WET WALL SEAM OPTION
SILICONED BATTEN JOINT
SECTION VIEW

SCALE: NTS
DATE: 06/01/03
DRAWING NO: WW-008



Copyright © 2003, All Rights Reserved

 **Wilsonart® Solid Surface**

Wilsonart International Inc.
2400 Wilson Place
P. O. Box 6110
Temple, TX 76503-6110

ACAD FILE: Wet Wall Application.dwg

DEPT: SOLID SURFACE

DR: RWM

CKD:

APPR:

SHEET TITLE:

WET WALL SEAM OPTION

SILICONE LAP JOINT

SECTION VIEW

SCALE:

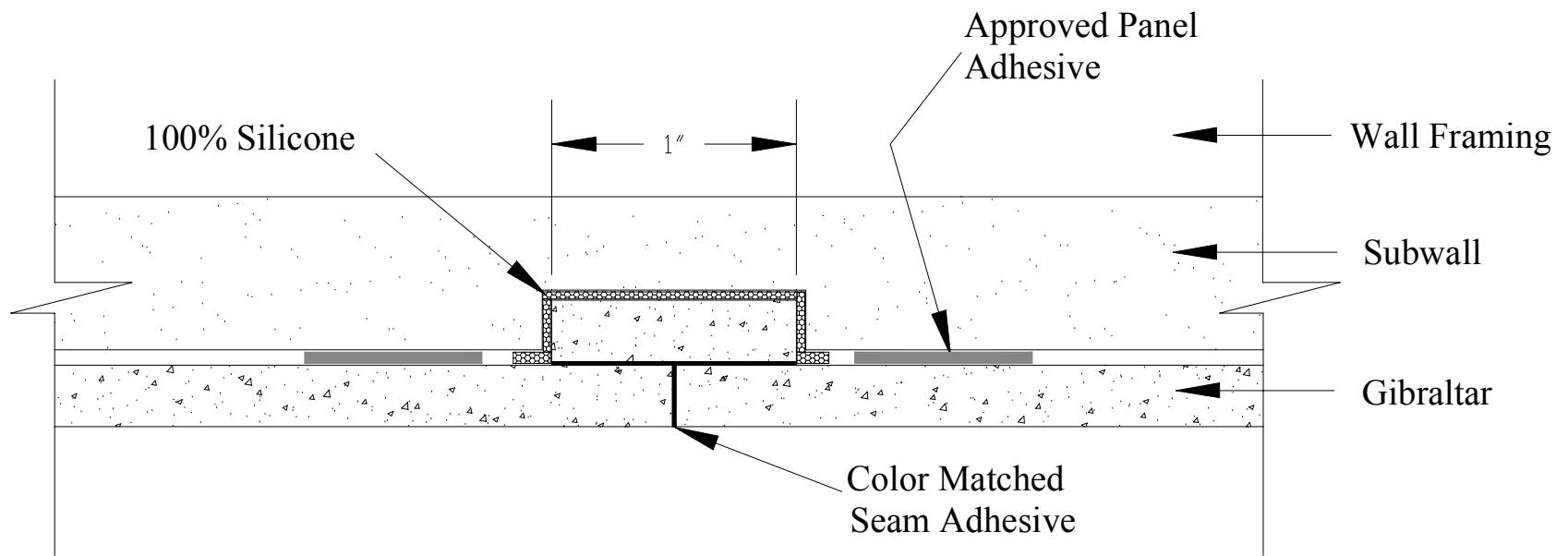
NTS

DATE:

06/01/03

DRAWING NO:

WW-009



Copyright © 2003, All Rights Reserved

 **Wilsonart® Solid Surface**

Wilsonart International Inc.
 2400 Wilson Place
 P. O. Box 6110
 Temple, TX 76503-6110

ACAD FILE: Wet Wall Application.dwg

DEPT: SOLID SURFACE

DR: RWM

CKD:

APPR:

SHEET TITLE:

WET WALL SEAM OPTION
 BATTEN SUPPORTED BUTT SEAM
 SECTION VIEW

SCALE:

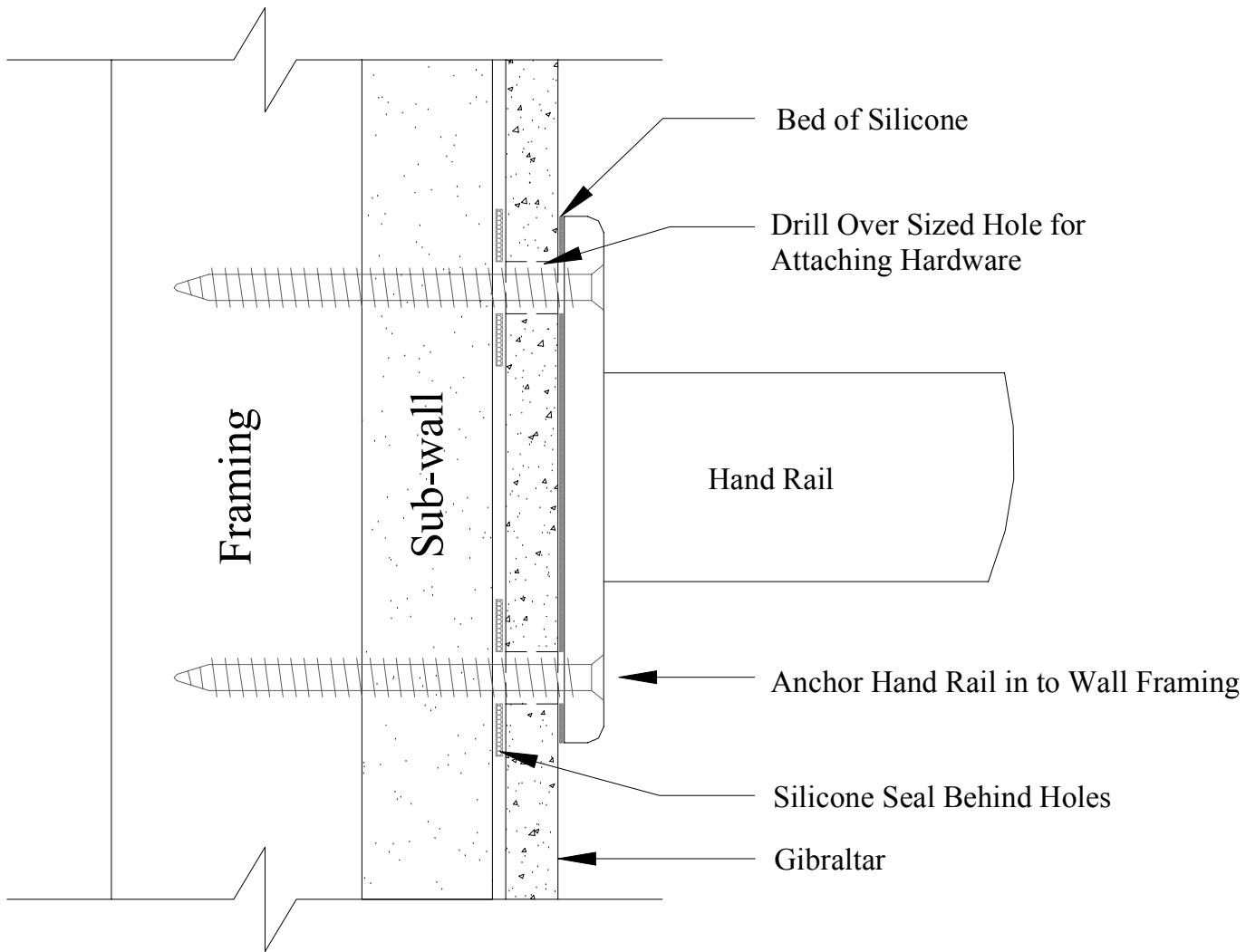
NTS

DATE:

06/01/03

DRAWING NO:

WW-010



Copyright © 2003, All Rights Reserved

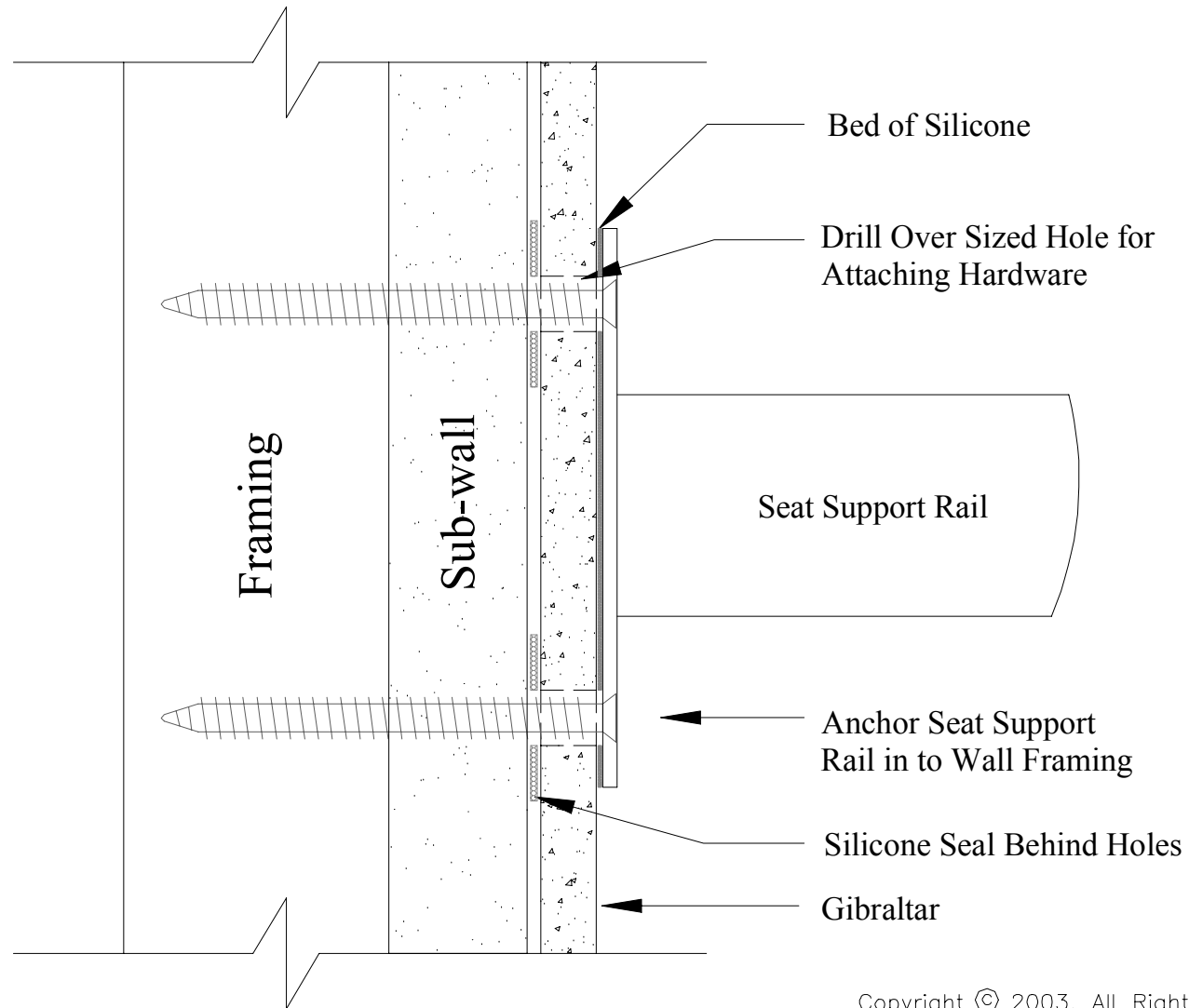
 **Wilsonart® Solid Surface**

Wilsonart International Inc.
 2400 Wilson Place
 P. O. Box 6110
 Temple, TX 76503-6110

ACAD FILE: Wet Wall Application.dwg
DEPT: SOLID SURFACE
DR: RWM
CKD:
APPR:

SHEET TITLE:
WET WALL
HAND RAIL SUPPORT
SECTION VIEW

SCALE:
NTS
DATE:
06/01/03
DRAWING NO:
WW-011



Copyright © 2003, All Rights Reserved

 **Wilsonart® Solid Surface**

Wilsonart International Inc.
2400 Wilson Place
P. O. Box 6110
Temple, TX 76503-6110

ACAD FILE: Wet Wall Application.dwg

DEPT: SOLID SURFACE

DR: RWM

CKD:

APPR:

SHEET TITLE:

SHOWER SURROUND
ACCESSORY SEAT SUPPORT
SECTION VIEW

SCALE:

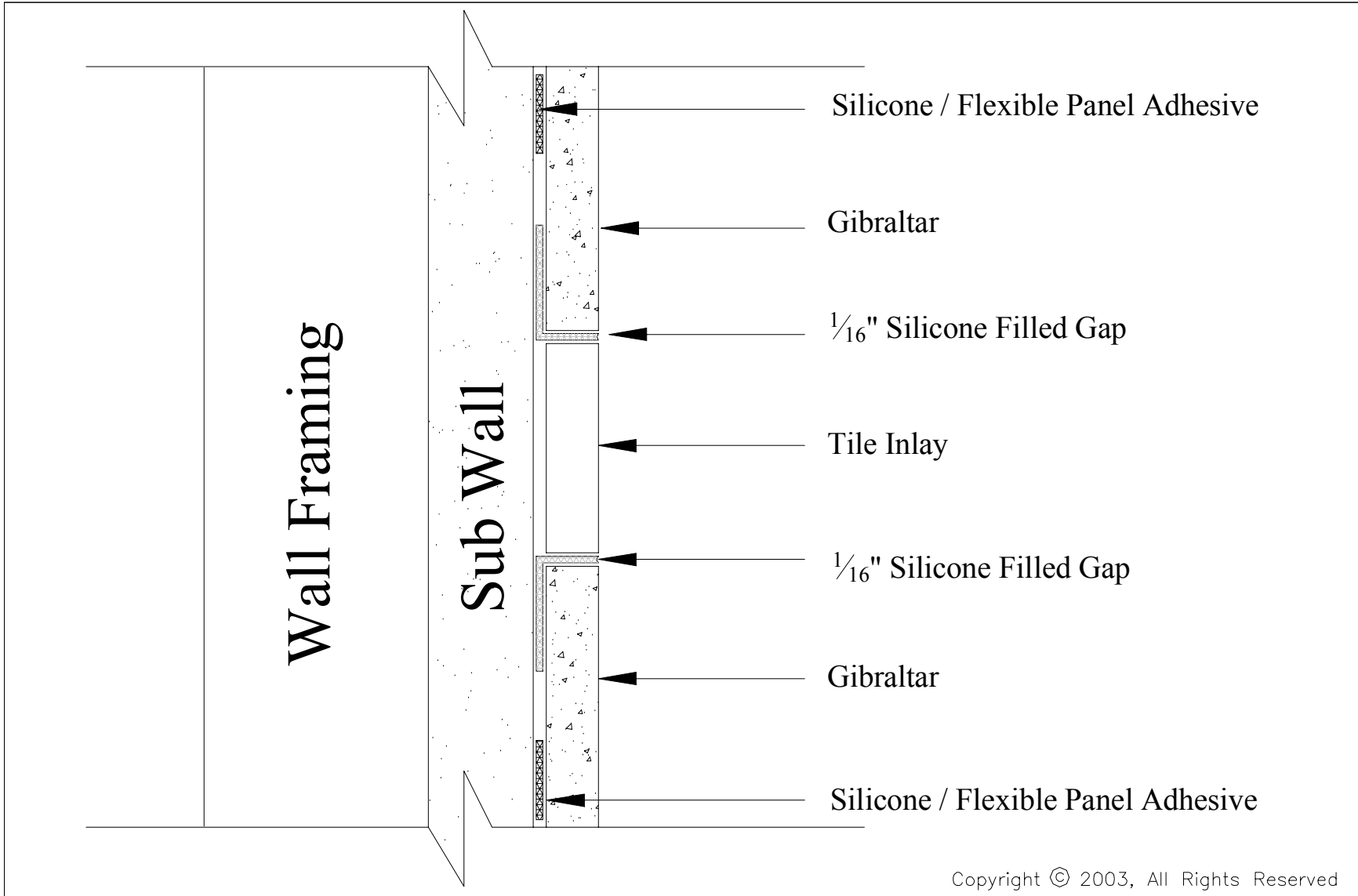
NTS

DATE:

06/01/03

DRAWING NO:

WW-012



Copyright © 2003, All Rights Reserved

 **Wilsonart® Solid Surface**

Wilsonart International Inc.
 2400 Wilson Place
 P. O. Box 6110
 Temple, TX 76503-6110

ACAD FILE: Wet Wall Application.dwg	SHEET TITLE: WET WALL PANEL TILE INLAY SECTION VIEW	SCALE: NTS
DEPT: SOLID SURFACE		DATE: 06/01/03
DR: RWM		DRAWING NO: WW-013
CKD:		
APPR:		